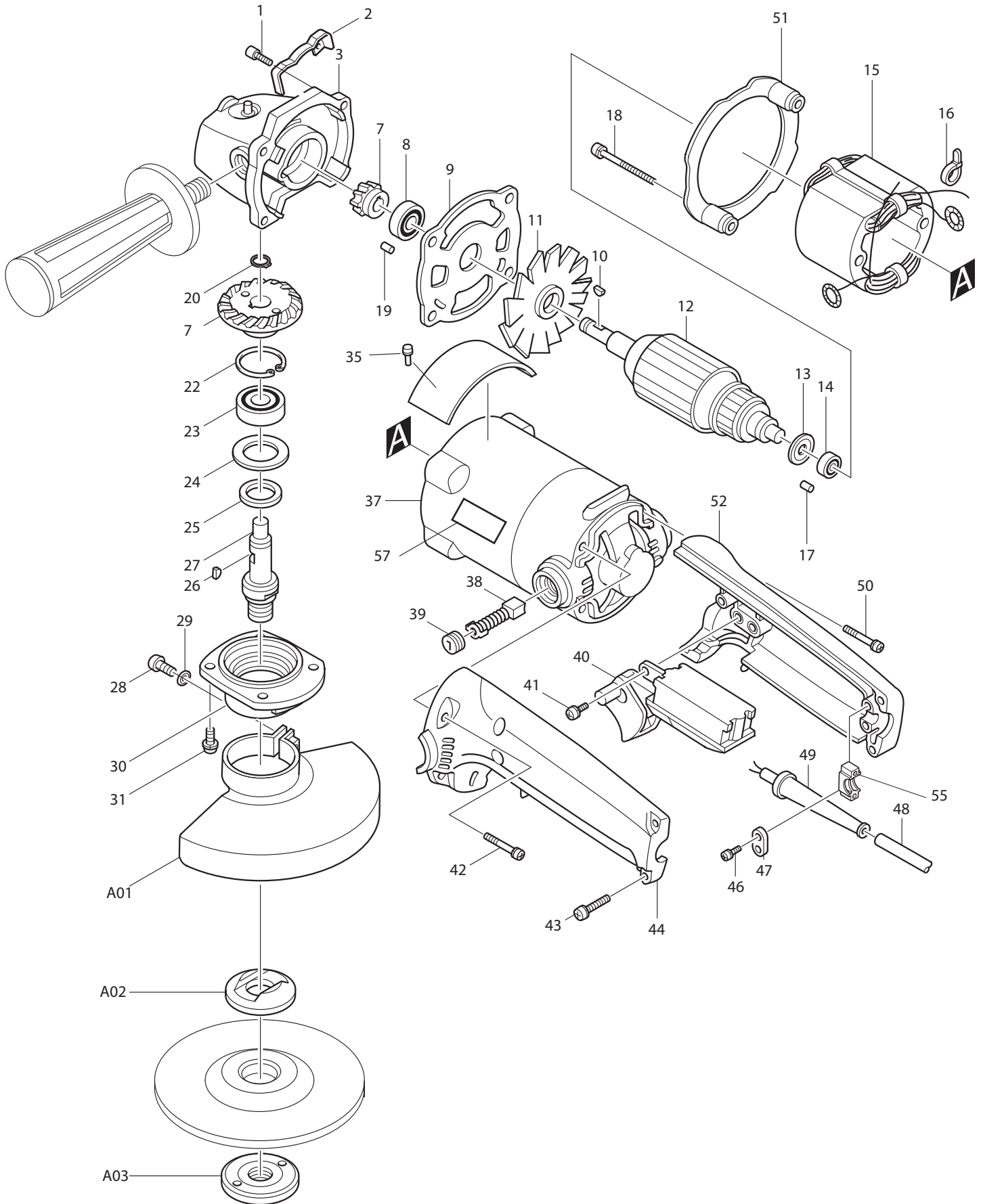




11 - 2010
9005B - 5" DISC GRINDER
9006B - 6" DISC GRINDER



Item	Type	Sub	Parts No.	Description	Qty	Unit
1	5		266041-8	* TAPPING SCREW 5X25	4	PC.
2	1		341680-6	* TOOL REST (OLD)	1	PC.
3	2		159710-7	* GEAR HOUSING COMPLETE	1	PC.
		INC.	212005-0	NEEDLE BEARING 810	1	PC.
		INC.	231464-9	COMPRESSION SPRING 5	1	PC.
		INC.	256616-1	PIN 5	1	PC.
		INC.	343312-1	CUP	1	PC.
		INC.		Item No. 19		
7			181737-9	SPIRAL BEVEL GEAR SET	1	SET
8	1		211061-7	BALL BEARING 6000LLB	1	PC.
	2		211088-7	BALL BEARING 6000DDW	1	PC.
9			341681-4	PLATE	1	PC.
10			254002-0	WOODRUFF KEY 3	1	PC.
11			241517-6	FAN 70	1	PC.
12			516091-6	ARMATURE ASS'Y 115V	1	PC.
		INC.		Item No. 11,13,14		
13			681613-2	INSULATION WASHER	1	PC.
14	1		211033-2	BALL BEARING 608LB	1	PC.
	2		210005-4	BALL BEARING 608DDW	1	PC.
15	1		622516-1	FIELD ASS'Y 115V - N/L/A	1	PC.
		INC.	654019-7	RING TERMINAL	2	PC.
		INC.	654502-4	CONNECTOR P-2	2	PC.
15	2		520073-2	FIELD ASS'Y 115V	1	PC.
		INC.	654019-7	RING TERMINAL	2	PC.
		INC.	654553-7	CONNECTOR 34137	2	PC.
16			687010-0	BAND	1	PC.
17			263014-2	RUBBER PIN 4	1	PC.
18	5		266029-8	* TAPPING SCREW 5X65	2	PC.
19			263002-9	RUBBER PIN 4	1	PC.
20			961052-5	RETAINING RING S-12	1	PC.
22			962151-6	RETAINING RING R-32	1	PC.
23	1		211106-1	BALL BEARING 6201LLB	1	PC.
	2		211129-9	BALL BEARING 6201DDW	1	PC.
24	1		253824-5	FLAT WASHER 21 - N/L/A	1	PC.
	2		267126-3	FLAT WASHER 22	1	PC.
25			443051-4	FELT RING 20	1	PC.
26			254002-0	WOODRUFF KEY 3	1	PC.
27			321336-7	SPINDLE	1	PC.
28			251259-4	+ PAN HEAD SCREW M5X16	1	PC.
29			942101-7	SPRING WASHER (OLD)	1	PC.
30			315282-4	BEARING BOX	1	PC.
31	3		266148-0	* HEX. SOCKET HEAD BOLT M4X14	4	PC.
36			854116-1	NAME PLATE 9005B	1	PC.
			854291-3	NAME PLATE 9006B - N/A	1	PC.
37	5		153548-2	* MOTOR HOUSING COMPLETE	1	PC.
		INC.	643609-1	* BRUSH HOLDER 6-10	2	PC.
		INC.	810341-4	* CAUTION LABEL (Added)	1	PC.
		INC.		* Item No. 17		
38	1		191945-4	CARBON BRUSH CB-124 2PC/SET (W/O ORIGIN) - N/L/A	1	SET
	2		194982-7	CARBON BRUSH CB-124 2PC/SET (W/ ORIGIN)	1	SET
	Opt.		194975-4	AUTO CUT-OFF CARBON BRUSH CB-105 (2PCS/SET)	1	SET
39			643600-9	BRUSH HOLDER CAP 6-10	2	PC.
40			651128-3	SWITCH C3D-15AS	1	PC.
41			911113-1	* P.H.SCREW M4X10 (OLD)	1	PC.
42	5		266041-8	* TAPPING SCREW 5X25	2	PC.
43			911143-2	PAN HEAD SCREW M4X22	3	PC.

Item	Type	Sub	Parts No.	Description	Qty	Unit
44	5		182853-0	* HANDLE SET	1	SET
		INC.	421565-3	* SPONGE SHEET (Added)	1	PC.
		INC.		* Item No. 52		
46	1		265941-9	* TAPPING SCREW BT 4X18	2	PC.
	2		265995-6	* TAPPING SCREW 4X18	2	PC.
47			687063-9	* CORD CLAMP	1	PC.
48			664064-4	CORD W/PLUG 2P-18-2.5M, SJ	1	PC.
49	1		682503-2	CORD GUARD 8-90	1	PC.
	2		682572-3	CORD GUARD 8	1	PC.
50	5		266041-8	* TAPPING SCREW 5X25	2	PC.
51			411876-4	BAFFLE PLATE	1	PC.
52	5		182853-0	* HANDLE SET	1	SET
		INC.	421565-3	* SPONGE SHEET (Added)	1	PC.
		INC.		* Item No. 44		
55			687051-6	* CLAMP BASE	1	PC.
56			261039-0	URETHANE WASHER 14	3	PC.
	Opt		191728-2	URETHANE WASHER 14 (3PC/SET) (OPTION)	1	SET
57			819001-5	MAKITA LABEL	1	PC.
D01			652014-1	P.H.SCREW M4X8 (F/ SWITCH)	4	PC.
D02	1		654002-4	SOLDERLESS EYE TERMINAL 1.25-M4 (F/ SWITCH)	4	PC.
	2		654113-5	SOLDERLESS EYE TERMINAL 1.25-M4 (F/ SWITCH)	4	PC.
<u>ACCESSORIES</u>			- See catalogue or visit www.makita.ca for more accessories information -			
A01			135040-0	WHEEL COVER ASS'Y F/5" (OLD# 165369-0 - N/L/A)	1	PC.
		INC.		Item No. 28		
			133533-1	WHEEL COVER ASS'Y F/6"	1	PC.
		INC.		Item No. 28		
A02	1		224361-6	INNER FLANGE 82	1	PC.
				* For D.C.W., Multi Disc (use with TYPE1 Lock Nut 5/8-40)		
	3		224378-9	INNER FLANGE 45	1	PC.
				* For D.C.W., C.O.W., Diamond Cutter, Multi Disc (use with TYPE3 Lock Nut 5/8-45)		
	Opt.		224054-5	INNER FLANGE 40 (OPTIONAL)	1	PC.
				* For C.O.W., Diamond Cutter (use with TYPE1 Lock Nut 5/8-40)		
A03	1		224509-0	LOCK NUT 5/8-40	1	PC.
				* For D.C.W., C.O.W., Diamond Cutter, Multi Disc (use with TYPE1 Inner Flange82)		
	3		224568-4	LOCK NUT 5/8-45	1	PC.
				* For D.C.W., C.O.W., Diamond Cutter, Multi Disc (use with TYPE3 Inner Flange45)		
A04			152492-0	GRIP 36 COMPLETE	1	PC.
A05			-----	5" / 6" D.C.W (See catalogue for details)	1	PC.
			-----	5" / 6" CUT-OFF WHEEL (See catalogue for details)		
A06			782412-6	LOCK NUT WRENCH 28	1	PC.
A07			743015-1	RUBBER PAD F/ 5" (F/ ABRESIVE DISC)	1	PC.
A08			-----	5" ABRESIVE DISC (SEE CATALOGUE FOR DETAILS)	1	PC.
A09			193048-0	SANDING LOCK NUT 5/8-48	1	PC.
A10			-----	WIRE CUP BRUSH (5/8"-11 ARBOUR)	1	PC.
A11			-----	DIAMOND CUTTER (SEE CATALOGUE FOR DETAILS)	1	PC.
A12			-----	MULTI DISC (SEE CATALOGUE FOR DETAILS)	1	PC.
A13			122688-7	CUT-OFF WHEEL GUARD F/5"	1	PC.